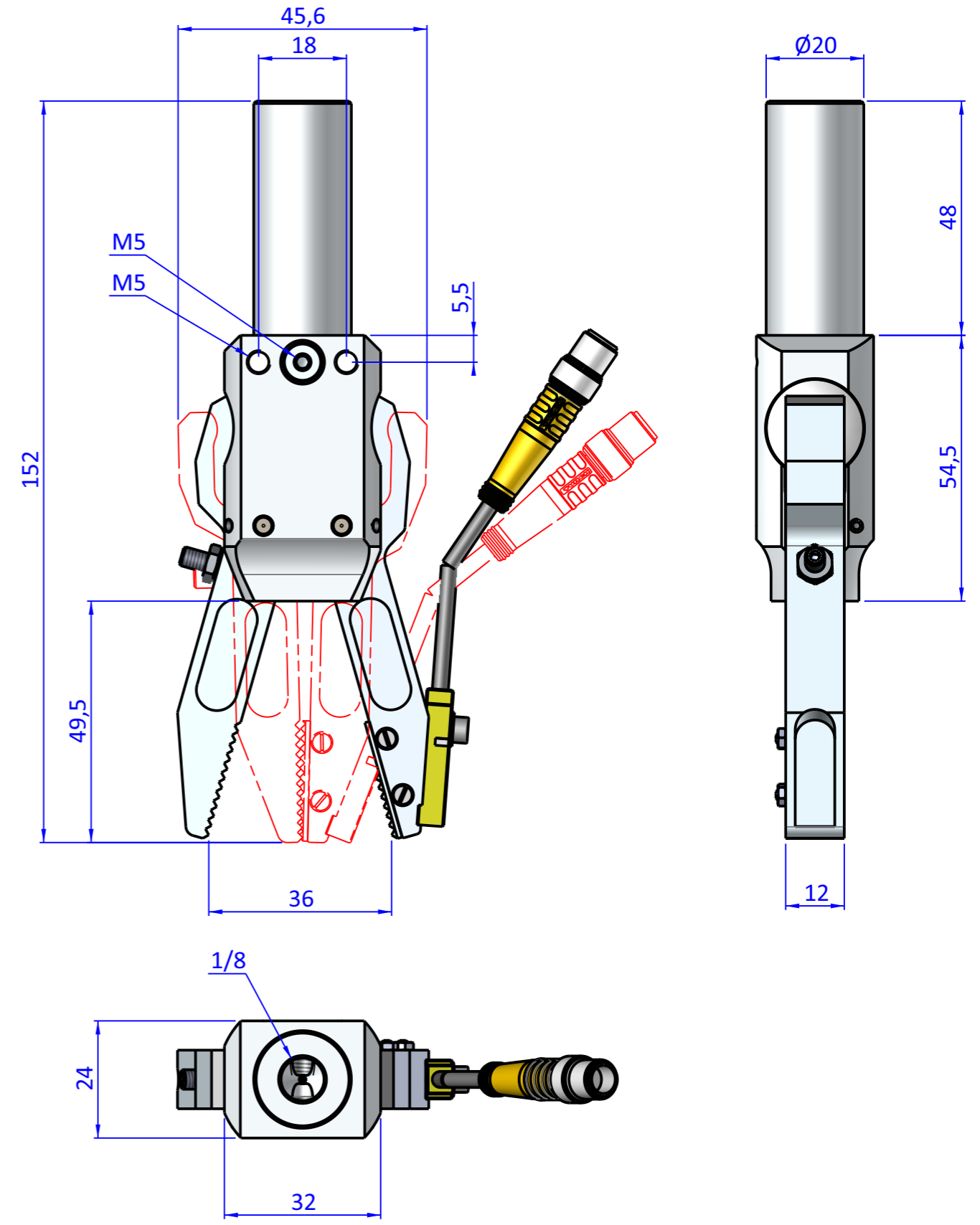
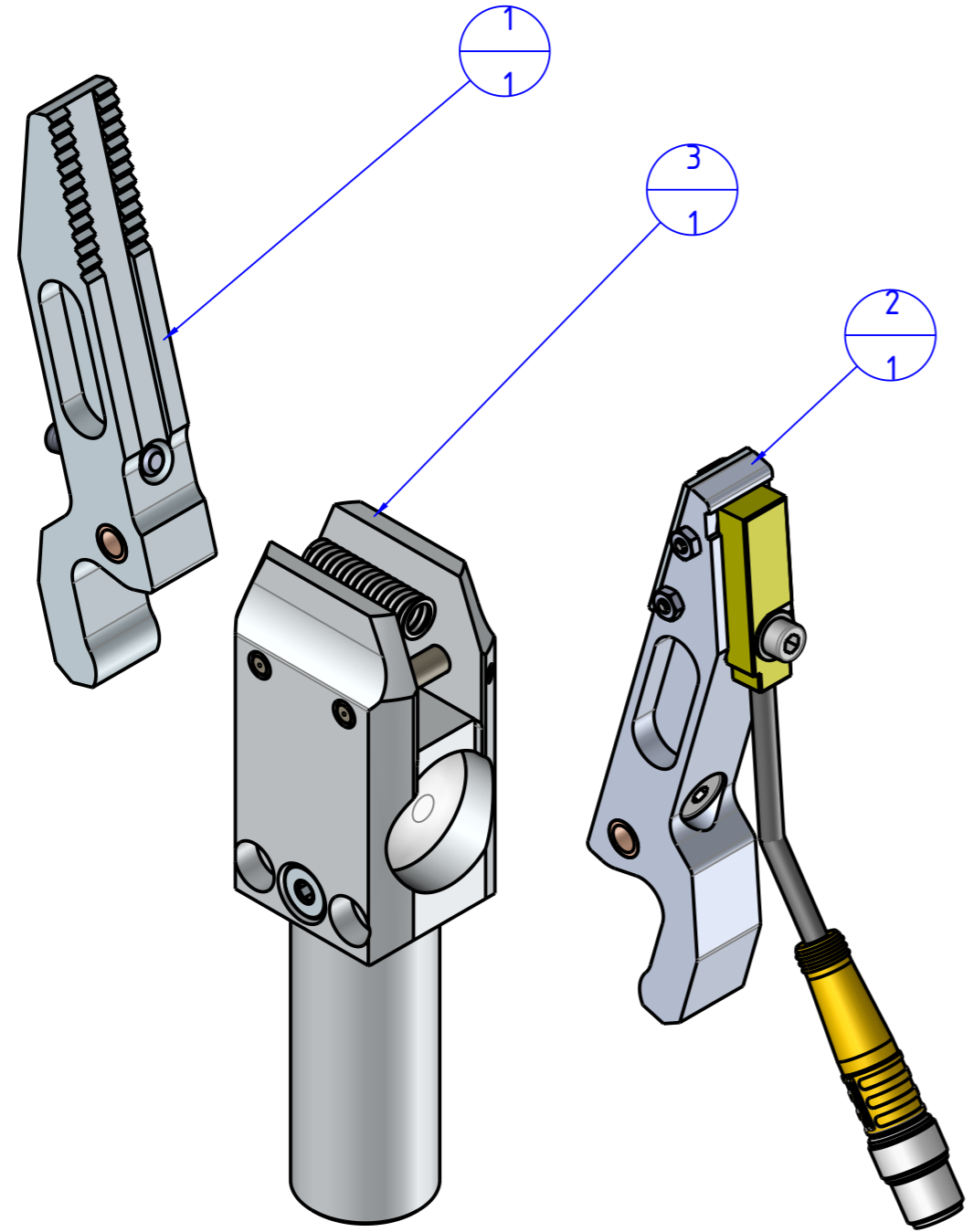

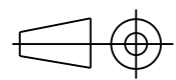


THE PROPERTY OF THE DRAWING IS ESTABLISHED BY LAW. IT IS FORBIDDEN TO PRODUCE OR SHOW IT TO THIRD PART - WITHOUT A WRITTEN AGREEMENT.

Item	Name	Q.ty
1	GTS.04.12.L	1
2	GTS.04.15.L	1
3	GTS.04.G18	1



Format A3  
UNI 936-76

 <b>FPS</b> FPSERVICES AUTOMATION			DESIGNED FROM <b>FPS Automation</b>	REVIEW <b>A</b>
GENERAL TOLERANCE UNI - ISO 2768 CLASSE f		DESCRIPTION <b>CA.GTS.1004.125L</b>		DATE 21/09/2021
		WEIGHT 0,198kg		CODE <b>CA.GTS.1004.125L</b>